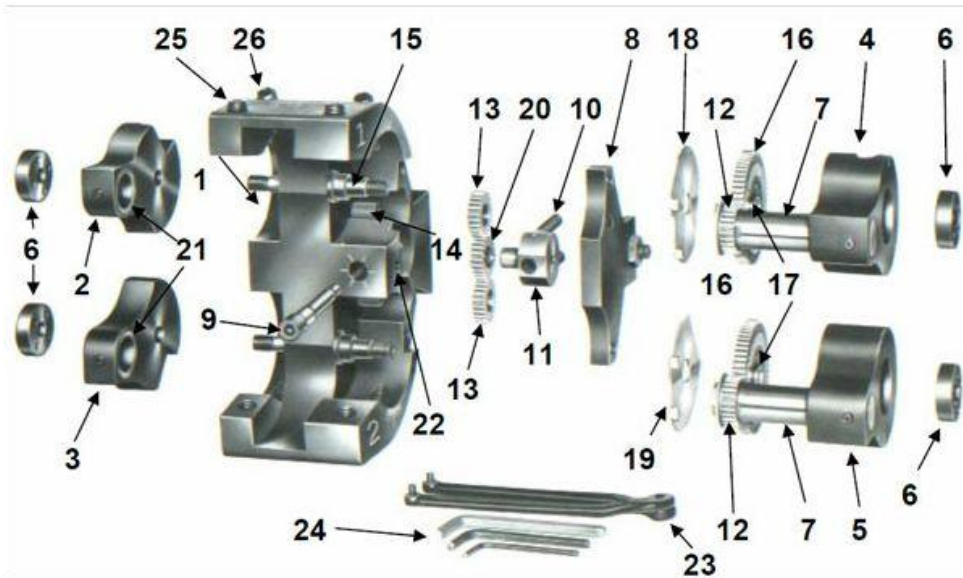


ATTACHMENT B10
SPARE PARTS SHEET SP130227/002-ING



| Code | Part. N° | Part name |
|-----------|----------|--|
| 8200440 | 1 | Head Body |
| 8177570A | 2 | #1 Solid Arm (incl. bearing) |
| 8177580A | 3 | #2 Solid Arm (incl. bearing) |
| 8199910A | 4 | #1 Geared Arm (incl. spacer & bearing) |
| 8199920A | 5 | #2 Geared Arm (incl. spacer & bearing) |
| 8164220 | 6 | Arm Clamping Nut |
| 81XXXX0 | 7 | Roll Pin - carbide / bronze |
| 8180930 | 8 | Cover Plate |
| 8164370 | 9 | Matching Adj. Screw |
| 8164380 | 10 | Compensator Spring |
| 8164280 | 11 | Compensator Block |
| 8164260 | 12 | Drive Gear |
| 8164270 | 13 | Intermediate Gear |
| 8164230 | 14 | Gear Stud |
| 8164620 | 15 | Arm Pivot Shaft |
| 8164250 | 16 | Large Idler Gear |
| 8164210 | 17 | Idler Gear Bearing |
| 8164300 | 18 | #1 Chip Guard |
| 8164310 | 19 | #2 Chip Guard |
| 8164270 | 20 | Compensator Gear |
| 81X6XX1 | 21 | Thrust Bearing (anti-friction) / (carbide)--optional |
| 9415202 | 22 | Locking Screw |
| 8025501 | 23 | Spanner Wrench |
| item-1598 | 24 | Hex Wrenches (each) |
| 8416040 | 25 | Arm Adjusting Screw |
| 8416042 | 26 | Arm Locking Screw |
| 8179220 | 27 | Bronze Thrust Bushing |
| 8199901 | 28A | #1 Roll Gap Spacer -- 1 notch |
| 8199902 | 28B | #2 Roll Gap Spacer -- 2 notches |
| 001U58 | N/A | Micrometer Setting Gage |
| 8200790 | N/A | Max. Modified Solid Arm #1 |
| 8200800 | N/A | Max. Modified Solid Arm #2 |
| item-1607 | N/A | Thread Rolling Attach. Handbook |
| item-1608 | N/A | Adapters |

SPECIFICATIONS IN THIS SHEET ARE SUBJECT TO CHANGE WITHOUT NOTICE