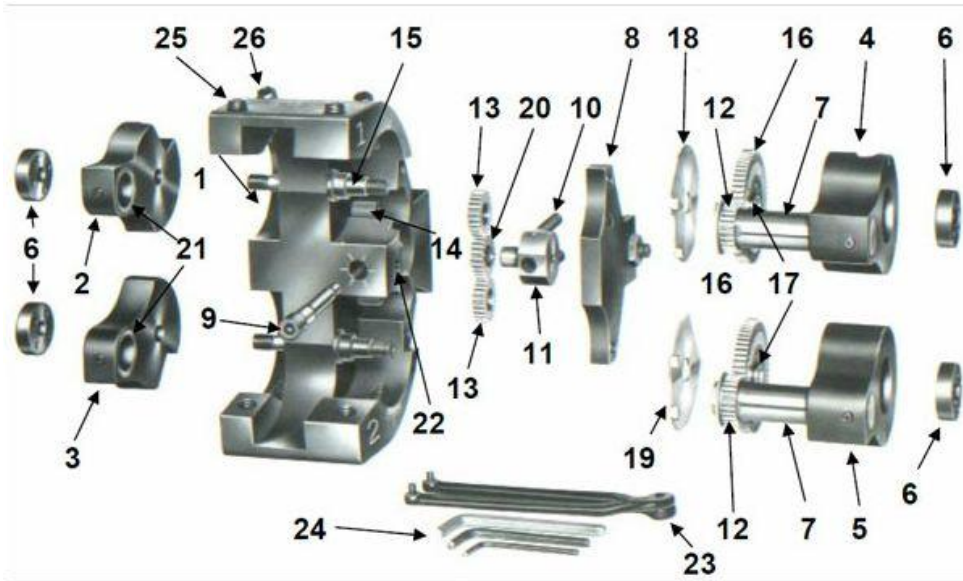


**ATTACHMENT B13**  
**SPARE PARTS SHEET SP130227/003-ING**



Code	Part. N°	Part name
8199390	1	Head Body
8177610A	2	#1 Solid Arm (incl. bearing)
8177620A	3	#2 Solid Arm (incl. bearing)
8199880A	4	#1 Geared Arm (incl. spacer & bearing)
8199890A	5	#2 Geared Arm (incl. spacer & bearing)
8163440	6	Arm Clamping Nut
81XXXX0	7	Roll Pin - carbide / bronze
8165930	8	Cover Plate
8164520	9	Matching Adj. Screw
8172070	10	Compensator Spring
8164450	11	Compensator Block
8164430	12	Drive Gear
8164440	13	Intermediate Gear
8164400	14	Gear Stud
8172020	15	Arm Pivot Shaft
8164420	16	Large Idler Gear
8164560	17	Idler Gear Bearing
8164540	18	#1 Chip Guard
8164530	19	#2 Chip Guard
8164440	20	Compensator Gear
8XXXX0	21	Thrust Bearing (anti-friction) / (carbide)--optional
9094453	22	Locking Screw
8025501	23	Spanner Wrench
item-1635	24	Hex Wrenches (each)
8416050	25	Arm Adjusting Screw
8416051	26	Arm Locking Screw
8179190	27	Bronze Thrust Bushing
8199871	28A	#1 Roll Gap Spacer -- 1 notch
8199872	28B	#2 Roll Gap Spacer -- 2 notches
001U59	N/A	Micrometer Setting Gage
8200830	N/A	Max. Modified Solid Arm #1
8200840	N/A	Max. Modified Solid Arm #2
item-1644	N/A	Thread Rolling Attach. Handbook
item-1645	N/A	Adapters

**SPECIFICATIONS IN THIS SHEET ARE SUBJECT TO CHANGE WITHOUT NOTICE**