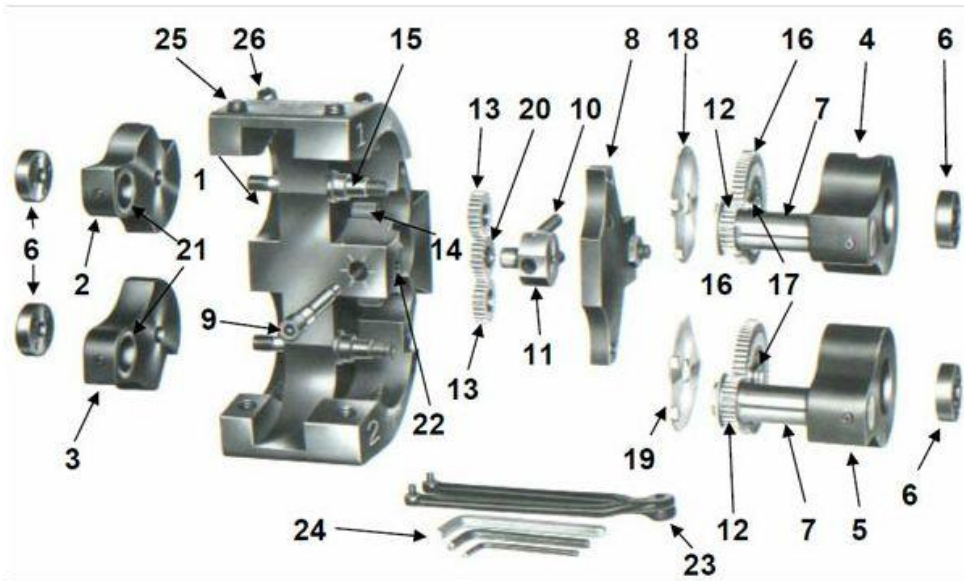


ATTACHMENT B8
SPARE PARTS SHEET SP130227/001-ING



Code	Part. N°	Part name
8174050	1	Head Body
8179260A	2	#1 Solid Arm (incl. bearing)
8179270A	3	#2 Solid Arm (incl. bearing)
8199960A	4	#1 Geared Arm (incl. spacer & bearing)
8199970A	5	#2 Geared Arm (incl. spacer & bearing)
8168640	6	Arm Clamping Nut
81X8XX0	7	Roll Pin - carbide / bronze
8174450	8	Cover Plate
8168550	9	Matching Adj. Screw
8168560	10	Compensator Spring
8168540	11	Compensator Block
8172030	12	Drive Gear
8168520	13	Intermediate Gear
8168530	14	Gear Stud
8172040	15	Arm Pivot Shaft
8168510	16	Large Idler Gear
8168580	17	Idler Gear Bearing
8174030	18	#1 Chip Guard
8174040	19	#2 Chip Guard
8168520	20	Compensator Gear
81XXXX0	21	Thrust Bearing (anti-friction) / (carbide)--optional
8414800	22	Locking Screw
8180470	23	Spanner Wrench
item-1561	24	Hex Wrenches (each)
8416030	25	Arm Adjusting Screw
9544670	26	Arm Locking Screw
8179230	27	Bronze Thrust Bushing
8199981	28A	#1 Roll Gap Spacer -- 1 notch
8199982	28B	#2 Roll Gap Spacer -- 2 notches
001U107	N/A	Micrometer Setting Gage
8197340	N/A	Max. Modified Solid Arm #1
8197350	N/A	Max. Modified Solid Arm #2
item-1570	N/A	Thread Rolling Attach. Handbook
item-1571	N/A	Adapters

SPECIFICATIONS IN THIS SHEET ARE SUBJECT TO CHANGE WITHOUT NOTICE