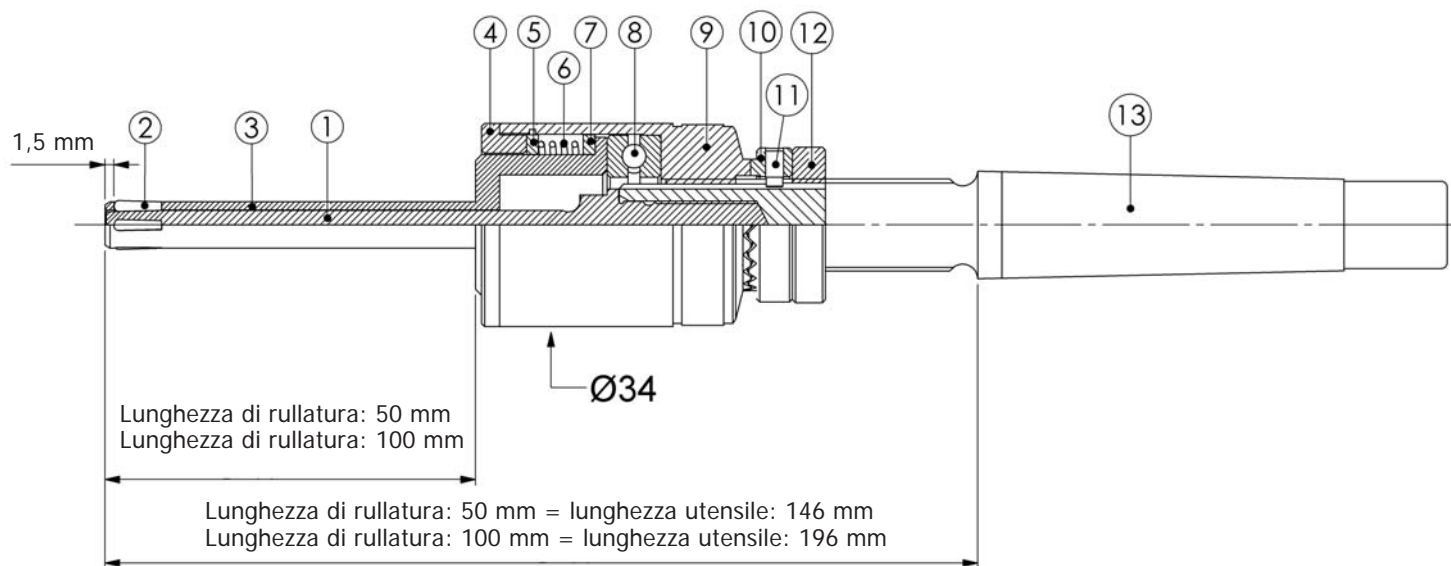


# Rullatori per fori passanti e fori ciechi

Fori passanti tipo TH: campo di lavoro da Ø6 a Ø14 mm

Fori ciechi tipo TB: campo di lavoro da Ø6 a Ø14 mm



- |                      |                |                            |
|----------------------|----------------|----------------------------|
| 1 - Mandrino         | 5 - Anello     | 9 - Collare                |
| 2 - Rulli            | 6 - Molla      | 10 - Ghiera di regolazione |
| 3 - Gabbia           | 7 - Anello     | 11 - Spina                 |
| 4 - Ghiera filettata | 8 - Cuscinetto | 12 - Ghiera di bloccaggio  |
|                      |                | 13 - Codolo                |

## Fori passanti tipo TH lunghezza di rullatura 50 mm autoalimentanti

Ø Foro	Codice utensile	Regolazione	Codolo	Rulli cod.	Rulli N°	Mandrino	Gabbia	Manicotto	Corpo
6,0	TH-006.00-1-50-CM2/S20	-0,05/+0,20		500100	3	TM-006.00-1-50	TG-006.00-1-50	---	
7,0	TH-007.00-1-50-CM2/S20	-0,05/+0,20		500100	3	TM-007.00-1-50	TG-007.00-1-50	---	
8,0	TH-008.00-1-50-CM2/S20	-0,05/+0,20	CM2	500100	4	TM-008.00-1-50	TG-008.00-1-50	---	TX1.1 CM2
9,0	TH-009.00-1-50-CM2/S20	-0,10/+0,40		500108	4	TM-009.00-1-50	TG-009.00-1-50	---	TX1.1 S20
10,0	TH-010.00-1-50-CM2/S20	-0,10/+0,40	S 20	500108	4	TM-010.00-1-50	TG-010.00-1-50	---	
11,0	TH-011.00-1-50-CM2/S20	-0,10/+0,40	Ø20x50	500108	4	TM-011.00-1-50	TG-011.00-1-50	---	
12,0	TH-012.00-1-50-CM2/S20	-0,10/+0,40		500102	4	TM-012.00-1-50	TG-012.00-1-50	---	
13,0	TH-013.00-1-50-CM2/S20	-0,10/+0,40		500102	4	TM-013.00-1-50	TG-013.00-1-50	---	
14,0	TH-014.00-1-50-CM2/S20	-0,10/+0,40		500102	4	TM-014.00-1-50	TG-014.00-1-50	---	

## Fori ciechi tipo TB lunghezza di rullatura 50 mm

Ø Foro	Codice utensile	Regolazione	Codolo	Rulli cod.	Rulli N°	Mandrino	Gabbia	Manicotto	Corpo
6,0	TB-006.00-3-50-CM2/S20	-0,05/+0,20		500308	3	TM-006.00-3-50	TG-006.00-3-50	---	
7,0	TB-007.00-3-50-CM2/S20	-0,05/+0,20		500308	3	TM-007.00-3-50	TG-007.00-3-50	---	
8,0	TB-008.00-3-50-CM2/S20	-0,05/+0,20	CM2	500308	4	TM-008.00-3-50	TG-008.00-3-50	---	TX1.1 CM2
9,0	TB-009.00-3-50-CM2/S20	-0,05/+0,40		500300	4	TM-009.00-3-50	TG-009.00-3-50	---	TX1.1 S20
10,0	TB-010.00-3-50-CM2/S20	-0,05/+0,40	S 20	500300	4	TM-010.00-3-50	TG-010.00-3-50	---	
11,0	TB-011.00-3-50-CM2/S20	-0,05/+0,40	Ø20x50	500300	4	TM-011.00-3-50	TG-011.00-3-50	---	
12,0	TB-012.00-3-50-CM2/S20	-0,05/+0,40		500301	4	TM-012.00-3-50	TG-012.00-3-50	---	
13,0	TB-013.00-3-50-CM2/S20	-0,05/+0,40		500301	4	TM-013.00-3-50	TG-013.00-3-50	---	
14,0	TB-014.00-3-50-CM2/S20	-0,05/+0,40		500301	4	TM-014.00-3-50	TG-014.00-3-50	---	

## Fori passanti tipo TH lunghezza di rullatura 100 mm autoalimentanti

Ø Foro	Codice utensile	Regolazione	Codolo	Rulli cod.	Rulli N°	Mandrino	Gabbia	Manicotto	Corpo
6,0	TH-006.00-1-100-CM2/S20	-0,05/+0,20		500100	3	TM-006.00-1-100	TG-006.00-1-100	---	
7,0	TH-007.00-1-100-CM2/S20	-0,05/+0,20		500100	3	TM-007.00-1-100	TG-007.00-1-100	---	
8,0	TH-008.00-1-100-CM2/S20	-0,05/+0,20	CM2	500100	4	TM-008.00-1-100	TG-008.00-1-100	---	TX1.1 CM2
9,0	TH-009.00-1-100-CM2/S20	-0,10/+0,40		500108	4	TM-009.00-1-100	TG-009.00-1-100	---	TX1.1 S20
10,0	TH-010.00-1-100-CM2/S20	-0,10/+0,40	S 20	500108	4	TM-010.00-1-100	TG-010.00-1-100	---	
11,0	TH-011.00-1-100-CM2/S20	-0,10/+0,40	Ø20x50	500108	4	TM-011.00-1-100	TG-011.00-1-100	---	
12,0	TH-012.00-1-100-CM2/S20	-0,10/+0,40		500102	4	TM-012.00-1-100	TG-012.00-1-100	---	
13,0	TH-013.00-1-100-CM2/S20	-0,10/+0,40		500102	4	TM-013.00-1-100	TG-013.00-1-100	---	
14,0	TH-014.00-1-100-CM2/S20	-0,10/+0,40		500102	4	TM-014.00-1-100	TG-014.00-1-100	---	

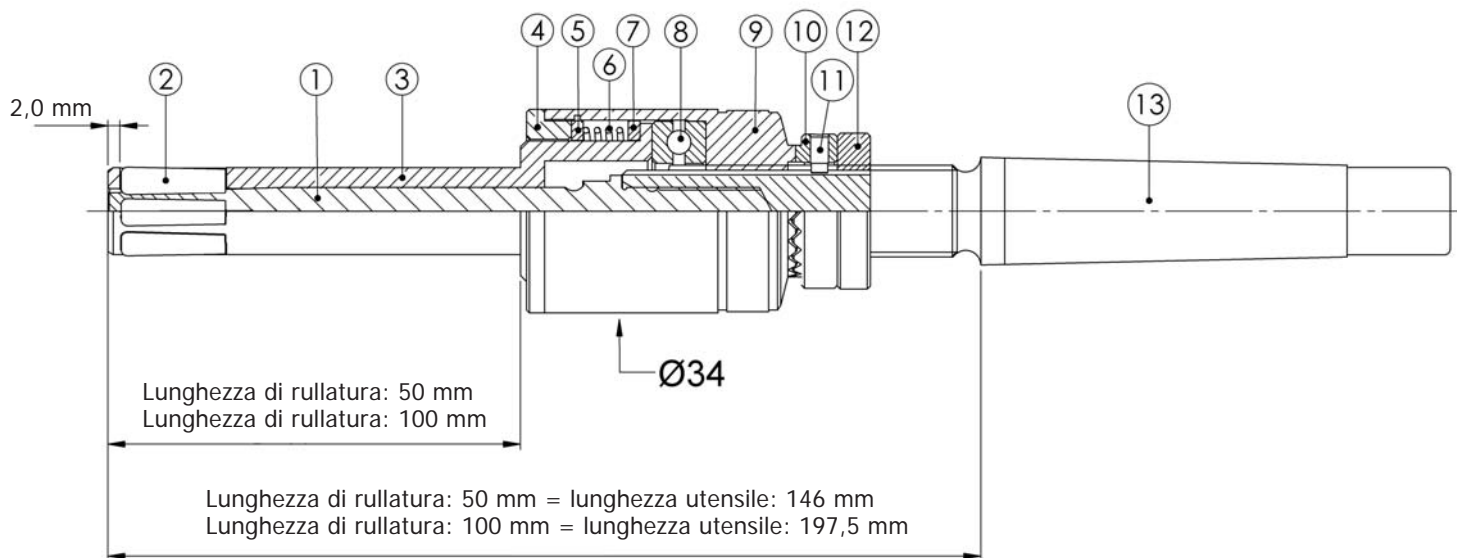
## Fori ciechi tipo TB lunghezza di rullatura 100 mm

Ø Foro	Codice utensile	Regolazione	Codolo	Rulli cod.	Rulli N°	Mandrino	Gabbia	Manicotto	Corpo
6,0	TB-006.00-3-100-CM2/S20	-0,05/+0,20		500308	3	TM-006.00-3-100	TG-006.00-3-100	---	
7,0	TB-007.00-3-100-CM2/S20	-0,05/+0,20		500308	3	TM-007.00-3-100	TG-007.00-3-100	---	
8,0	TB-008.00-3-100-CM2/S20	-0,05/+0,20	CM2	500308	4	TM-008.00-3-100	TG-008.00-3-100	---	TX1.1 CM2
9,0	TB-009.00-3-100-CM2/S20	-0,05/+0,40		500300	4	TM-009.00-3-100	TG-009.00-3-100	---	TX1.1 S20
10,0	TB-010.00-3-100-CM2/S20	-0,05/+0,40	S 20	500300	4	TM-010.00-3-100	TG-010.00-3-100	---	
11,0	TB-011.00-3-100-CM2/S20	-0,05/+0,40	Ø20x50	500300	4	TM-011.00-3-100	TG-011.00-3-100	---	
12,0	TB-012.00-3-100-CM2/S20	-0,05/+0,40		500301	4	TM-012.00-3-100	TG-012.00-3-100	---	
13,0	TB-013.00-3-100-CM2/S20	-0,05/+0,40		500301	4	TM-013.00-3-100	TG-013.00-3-100	---	
14,0	TB-014.00-3-100-CM2/S20	-0,05/+0,40		500301	4	TM-014.00-3-100	TG-014.00-3-100	---	

# Rullatori per fori passanti e fori ciechi

Fori passanti tipo TH: campo di lavoro da Ø15 a Ø21 mm

Fori ciechi tipo TB: campo di lavoro da Ø15 a Ø21 mm



- |                      |                |                            |
|----------------------|----------------|----------------------------|
| 1 - Mandrino         | 5 - Anello     | 9 - Collare                |
| 2 - Rulli            | 6 - Molla      | 10 - Ghiera di regolazione |
| 3 - Gabbia           | 7 - Anello     | 11 - Spina                 |
| 4 - Ghiera filettata | 8 - Cuscinetto | 12 - Ghiera di bloccaggio  |
|                      |                | 13 - Codolo                |

## Fori passanti tipo TH lunghezza di rullatura 50 mm autoalimentanti

Ø Foro	Codice utensile	Regolazione	Codolo	Rulli cod.	Rulli N°	Mandrino	Gabbia	Manicotto	Corpo
15,0	TH-015.00-1-50-CM2/S20	-0,10/+0,90		500111	5	TM-015.00-1	TG-015.00-1-50	---	
16,0	TH-016.00-1-50-CM2/S20	-0,10/+0,90	CM2	500111	5	TM-016.00-1	TG-016.00-1-50	---	
17,0	TH-017.00-1-50-CM2/S20	-0,10/+0,90		500111	5	TM-017.00-1	TG-017.00-1-50	---	TX1.2-50-CM2
18,0	TH-018.00-1-50-CM2/S20	-0,10/+0,90	S 20	500111	5	TM-018.00-1	TG-018.00-1-50	---	TX1.2-50-S20
19,0	TH-019.00-1-50-CM2/S20	-0,10/+0,90	Ø20x50	500112	5	TM-019.00-1	TG-019.00-1-50	---	
20,0	TH-020.00-1-50-CM2/S20	-0,10/+0,90		500112	5	TM-020.00-1	TG-020.00-1-50	---	
21,0	TH-021.00-1-50-CM2/S20	-0,10/+0,90		500112	5	TM-021.00-1	TG-021.00-1-50	---	

## Fori ciechi tipo TB lunghezza di rullatura 50 mm

Ø Foro	Codice utensile	Regolazione	Codolo	Rulli cod.	Rulli N°	Mandrino	Gabbia	Manicotto	Corpo
15,0	TB-015.00-3-50-CM2/S20	-0,05/+0,40		500310	5	TM-015.00-3	TG-015.00-3-50	---	
16,0	TB-016.00-3-50-CM2/S20	-0,05/+0,40	CM2	500310	5	TM-016.00-3	TG-016.00-3-50	---	
17,0	TB-017.00-3-50-CM2/S20	-0,05/+0,40		500310	5	TM-017.00-3	TG-017.00-3-50	---	TX1.2-50-CM2
18,0	TB-018.00-3-50-CM2/S20	-0,05/+0,40	S 20	500310	5	TM-018.00-3	TG-018.00-3-50	---	TX1.2-50-S20
19,0	TB-019.00-3-50-CM2/S20	-0,05/+0,40	Ø20x50	500311	5	TM-019.00-3	TG-019.00-3-50	---	
20,0	TB-020.00-3-50-CM2/S20	-0,05/+0,40		500311	5	TM-020.00-3	TG-020.00-3-50	---	
21,0	TB-021.00-3-50-CM2/S20	-0,05/+0,40		500311	5	TM-021.00-3	TG-021.00-3-50	---	

## Fori passanti tipo TH lunghezza di rullatura 100 mm autoalimentanti

Ø Foro	Codice utensile	Regolazione	Codolo	Rulli cod.	Rulli N°	Mandrino	Gabbia	Manicotto	Corpo
15,0	TH-015.00-1-100-CM2/S20	-0,10/+0,90		500111	5	TM-015.00-1	TG-015.00-1-100	---	
16,0	TH-016.00-1-100-CM2/S20	-0,10/+0,90	CM2	500111	5	TM-016.00-1	TG-016.00-1-100	---	
17,0	TH-017.00-1-100-CM2/S20	-0,10/+0,90		500111	5	TM-017.00-1	TG-017.00-1-100	---	TX1.2-100-CM2
18,0	TH-018.00-1-100-CM2/S20	-0,10/+0,90	S 20	500111	5	TM-018.00-1	TG-018.00-1-100	---	TX1.2-100-S20
19,0	TH-019.00-1-100-CM2/S20	-0,10/+0,90	Ø20x50	500112	5	TM-019.00-1	TG-019.00-1-100	---	
20,0	TH-020.00-1-100-CM2/S20	-0,10/+0,90		500112	5	TM-020.00-1	TG-020.00-1-100	---	
21,0	TH-021.00-1-100-CM2/S20	-0,10/+0,90		500112	5	TM-021.00-1	TG-021.00-1-100	---	

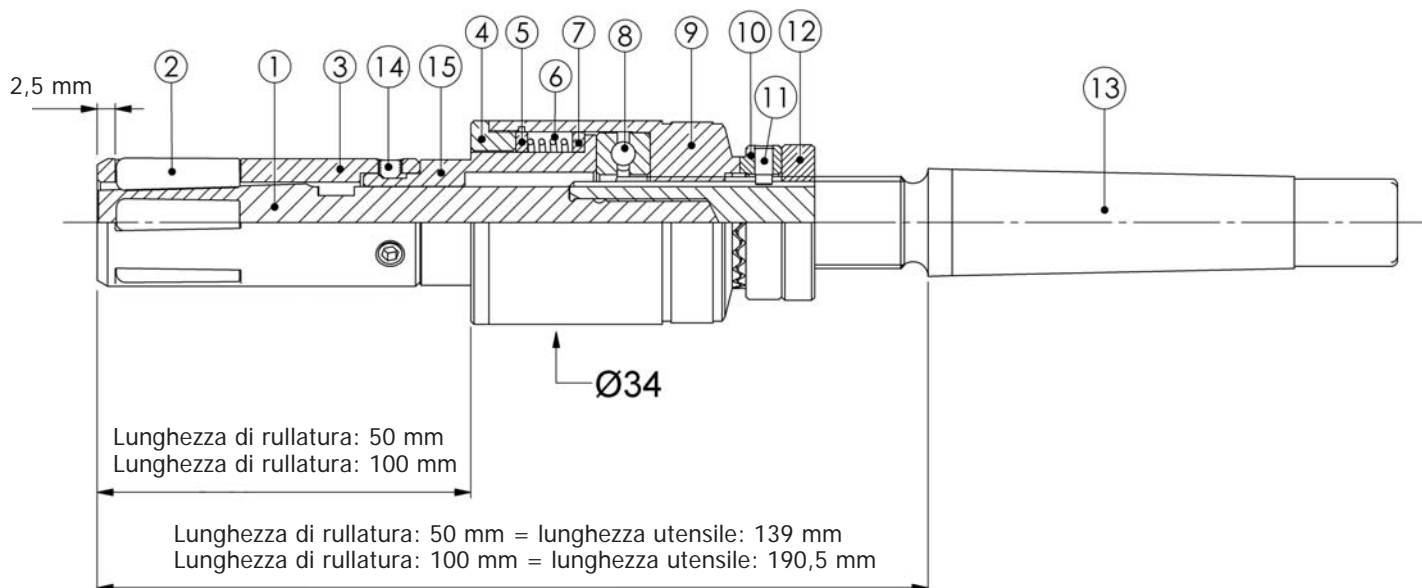
## Fori ciechi tipo TB lunghezza di rullatura 100 mm

Ø Foro	Codice utensile	Regolazione	Codolo	Rulli cod.	Rulli N°	Mandrino	Gabbia	Manicotto	Corpo
15,0	TB-015.00-3-100-CM2/S20	-0,05/+0,40		500310	5	TM-015.00-3	TG-015.00-3-100	---	
16,0	TB-016.00-3-100-CM2/S20	-0,05/+0,40	CM2	500310	5	TM-016.00-3	TG-016.00-3-100	---	
17,0	TB-017.00-3-100-CM2/S20	-0,05/+0,40		500310	5	TM-017.00-3	TG-017.00-3-100	---	TX1.2-100-CM2
18,0	TB-018.00-3-100-CM2/S20	-0,05/+0,40	S 20	500310	5	TM-018.00-3	TG-018.00-3-100	---	TX1.2-100-S20
19,0	TB-019.00-3-100-CM2/S20	-0,05/+0,40	Ø20x50	500311	5	TM-019.00-3	TG-019.00-3-100	---	
20,0	TB-020.00-3-100-CM2/S20	-0,05/+0,40		500311	5	TM-020.00-3	TG-020.00-3-100	---	
21,0	TB-021.00-3-100-CM2/S20	-0,05/+0,40		500311	5	TM-021.00-3	TG-021.00-3-100	---	

# Rullatori per fori passanti e fori ciechi

Fori passanti tipo TH: campo di lavoro da Ø22 a Ø31 mm

Fori ciechi tipo TB: campo di lavoro da Ø22 a Ø31 mm



- |                      |                            |                           |
|----------------------|----------------------------|---------------------------|
| 1 - Mandrino         | 6 - Molla                  | 11 - Spina                |
| 2 - Rulli            | 7 - Anello                 | 12 - Ghiera di bloccaggio |
| 3 - Gabbia           | 8 - Cuscinetto             | 13 - Codolo               |
| 4 - Ghiera filettata | 9 - Collare                | 14 - Grano filettato      |
| 5 - Anello           | 10 - Ghiera di regolazione | 15 - Manicotto            |

## Fori passanti tipo TH lunghezza di rullatura 50 mm autoalimentanti

Ø Foro	Codice utensile	Regolazione	Codolo	Rulli cod.	Rulli N°	Mandrino	Gabbia	Manicotto	Corpo
22,0	TH-022.00-1-50-CM2/S20	-0,10/+0,90		500112	5	TM-022.00-1	TG-022.00-1	TSL3001	
23,0	TH-023.00-1-50-CM2/S20	-0,10/+0,90		500112	5	TM-023.00-1	TG-023.00-1	TSL3001	
24,0	TH-024.00-1-50-CM2/S20	-0,10/+0,90	CM2	500112	5	TM-024.00-1	TG-024.00-1	TSL3001	
25,0	TH-025.00-1-50-CM2/S20	-0,10/+0,90		500113	5	TM-025.00-1	TG-025.00-1	TSL3007	TX1.2-50-CM2
26,0	TH-026.00-1-50-CM2/S20	-0,10/+0,90	S 20	500113	5	TM-026.00-1	TG-026.00-1	TSL3007	TX1.2-50-S20
27,0	TH-027.00-1-50-CM2/S20	-0,10/+0,90	Ø20x50	500113	5	TM-027.00-1	TG-027.00-1	TSL3007	
28,0	TH-028.00-1-50-CM2/S20	-0,10/+0,90		500109	5	TM-028.00-1	TG-028.00-1	TSL3007	
29,0	TH-029.00-1-50-CM2/S20	-0,10/+0,90		500109	5	TM-029.00-1	TG-029.00-1	TSL3007	
30,0	TH-030.00-1-50-CM2/S20	-0,10/+0,90		500109	5	TM-030.00-1	TG-030.00-1	TSL3007	
31,0	TH-031.00-1-50-CM2/S20	-0,10/+0,90		500109	5	TM-031.00-1	TG-031.00-1	TSL3007	

## Fori ciechi tipo TB lunghezza di rullatura 50 mm

Ø Foro	Codice utensile	Regolazione	Codolo	Rulli cod.	Rulli N°	Mandrino	Gabbia	Manicotto	Corpo
22,0	TB-022.00-3-50-CM2/S20	-0,05/+0,40		500311	5	TM-022.00-3	TG-022.00-3	TSL3001	
23,0	TB-023.00-3-50-CM2/S20	-0,05/+0,40		500311	5	TM-023.00-3	TG-023.00-3	TSL3001	
24,0	TB-024.00-3-50-CM2/S20	-0,05/+0,40	CM2	500311	5	TM-024.00-3	TG-024.00-3	TSL3001	
25,0	TB-025.00-3-50-CM2/S20	-0,05/+0,40		500312	5	TM-025.00-3	TG-025.00-3	TSL3007	TX1.2-50-CM2
26,0	TB-026.00-3-50-CM2/S20	-0,05/+0,40	S 20	500312	5	TM-026.00-3	TG-026.00-3	TSL3007	TX1.2-50-S20
27,0	TB-027.00-3-50-CM2/S20	-0,05/+0,40	Ø20x50	500312	5	TM-027.00-3	TG-027.00-3	TSL3007	
28,0	TB-028.00-3-50-CM2/S20	-0,05/+0,40		500307	5	TM-028.00-3	TG-028.00-3	TSL3007	
29,0	TB-029.00-3-50-CM2/S20	-0,05/+0,40		500307	5	TM-029.00-3	TG-029.00-3	TSL3007	
30,0	TB-030.00-3-50-CM2/S20	-0,05/+0,40		500307	5	TM-030.00-3	TG-030.00-3	TSL3007	
31,0	TB-031.00-3-50-CM2/S20	-0,05/+0,40		500307	5	TM-031.00-3	TG-031.00-3	TSL3007	

## Fori passanti tipo TH lunghezza di rullatura 100 mm autoalimentanti

Ø Foro	Codice utensile	Regolazione	Codolo	Rulli cod.	Rulli N°	Mandrino	Gabbia	Manicotto	Corpo
22,0	TH-022.00-1-100-CM2/S20	-0,10/+0,90		500112	5	TM-022.00-1	TG-022.00-1	TSL3002	
23,0	TH-023.00-1-100-CM2/S20	-0,10/+0,90		500112	5	TM-023.00-1	TG-023.00-1	TSL3002	
24,0	TH-024.00-1-100-CM2/S20	-0,10/+0,90	CM2	500112	5	TM-024.00-1	TG-024.00-1	TSL3002	
25,0	TH-025.00-1-100-CM2/S20	-0,10/+0,90		500113	5	TM-025.00-1	TG-025.00-1	TSL3008	TX1.2-100-CM2
26,0	TH-026.00-1-100-CM2/S20	-0,10/+0,90	S 20	500113	5	TM-026.00-1	TG-026.00-1	TSL3008	TX1.2-100-S20
27,0	TH-027.00-1-100-CM2/S20	-0,10/+0,90	Ø20x50	500113	5	TM-027.00-1	TG-027.00-1	TSL3008	
28,0	TH-028.00-1-100-CM2/S20	-0,10/+0,90		500109	5	TM-028.00-1	TG-028.00-1	TSL3008	
29,0	TH-029.00-1-100-CM2/S20	-0,10/+0,90		500109	5	TM-029.00-1	TG-029.00-1	TSL3008	
30,0	TH-030.00-1-100-CM2/S20	-0,10/+0,90		500109	5	TM-030.00-1	TG-030.00-1	TSL3008	
31,0	TH-031.00-1-100-CM2/S20	-0,10/+0,90		500109	5	TM-031.00-1	TG-031.00-1	TSL3008	

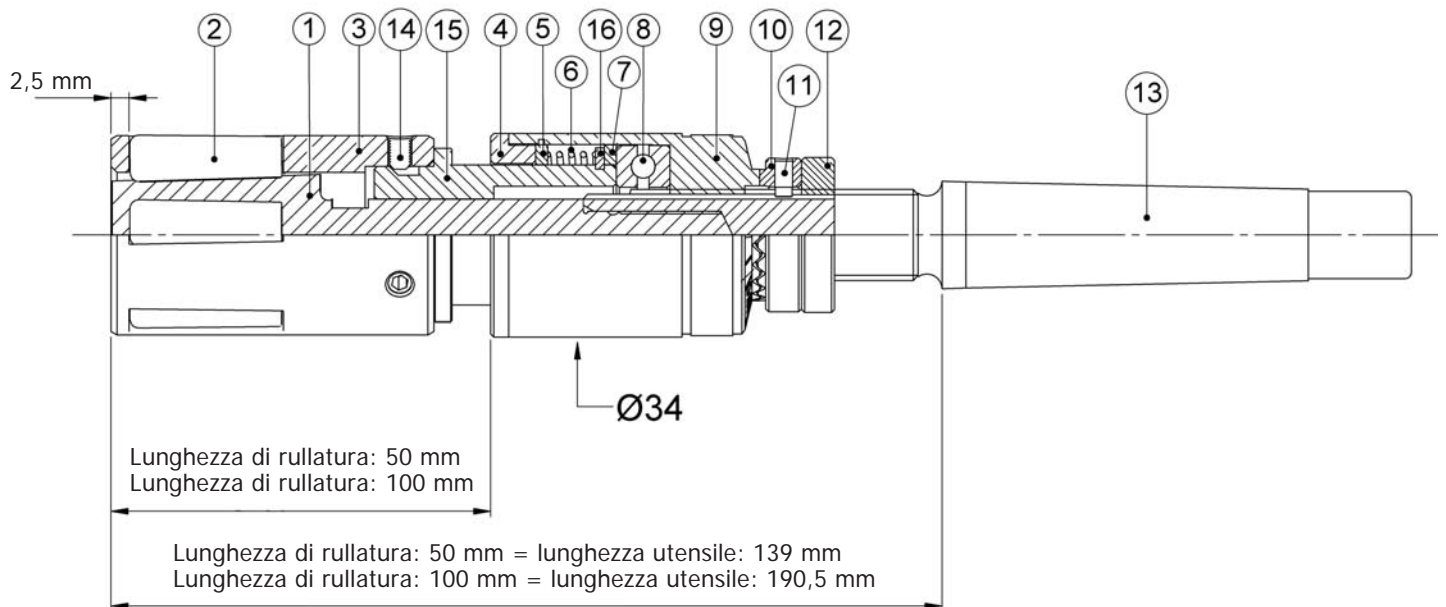
## Fori ciechi tipo TB lunghezza di rullatura 100 mm

Ø Foro	Codice utensile	Regolazione	Codolo	Rulli cod.	Rulli N°	Mandrino	Gabbia	Manicotto	Corpo
22,0	TB-022.00-3-100-CM2/S20	-0,05/+0,40		500311	5	TM-022.00-3	TG-022.00-3	TSL3002	
23,0	TB-023.00-3-100-CM2/S20	-0,05/+0,40		500311	5	TM-023.00-3	TG-023.00-3	TSL3002	
24,0	TB-024.00-3-100-CM2/S20	-0,05/+0,40	CM2	500311	5	TM-024.00-3	TG-024.00-3	TSL3002	
25,0	TB-025.00-3-100-CM2/S20	-0,05/+0,40		500312	5	TM-025.00-3	TG-025.00-3	TSL3008	TX1.2-100-CM2
26,0	TB-026.00-3-100-CM2/S20	-0,05/+0,40	S 20	500312	5	TM-026.00-3	TG-026.00-3	TSL3008	TX1.2-100-S20
27,0	TB-027.00-3-100-CM2/S20	-0,05/+0,40	Ø20x50	500312	5	TM-027.00-3	TG-027.00-3	TSL3008	
28,0	TB-028.00-3-100-CM2/S20	-0,05/+0,40		500307	5	TM-028.00-3	TG-028.00-3	TSL3008	
29,0	TB-029.00-3-100-CM2/S20	-0,05/+0,40		500307	5	TM-029.00-3	TG-029.00-3	TSL3008	
30,0	TB-030.00-3-100-CM2/S20	-0,05/+0,40		500307	5	TM-030.00-3	TG-030.00-3	TSL3008	
31,0	TB-031.00-3-100-CM2/S20	-0,05/+0,40		500307	5	TM-031.00-3	TG-031.00-3	TSL3008	

# Rullatori per fori passanti e fori ciechi

Fori passanti tipo TH: campo di lavoro da Ø32 a Ø34 mm

Fori ciechi tipo TB: campo di lavoro da Ø32 a Ø34 mm



- |                      |                |                            |                      |
|----------------------|----------------|----------------------------|----------------------|
| 1 - Mandrino         | 5 - Anello     | 9 - Collare                | 13 - Codolo          |
| 2 - Rulli            | 6 - Molla      | 10 - Ghiera di regolazione | 14 - Grano filettato |
| 3 - Gabbia           | 7 - Anello     | 11 - Spina                 | 15 - Manicotto       |
| 4 - Ghiera filettata | 8 - Cuscinetto | 12 - Ghiera di bloccaggio  | 16 - Anello Seeger   |

### Fori passanti tipo TH lunghezza di rullatura 50 mm autoalimentanti

Ø Foro	Codice utensile	Regolazione	Codolo	Rulli cod.	Rulli N°	Mandrino	Gabbia	Manicotto	Corpo
32,0	TH-032.00-1-50-CM2/S20	-0,10/+0,90	CM2	500109	5	TM-032.00-1	TG-032.00-1	TSL3013	TX1.3-50-CM2
33,0	TH-033.00-1-50-CM2/S20	-0,10/+0,90	S 20	500109	5	TM-033.00-1	TG-033.00-1	TSL3013	TX1.3-50-S20
34,0	TH-034.00-1-50-CM2/S20	-0,10/+0,90	Ø20x50	500109	5	TM-034.00-1	TG-034.00-1	TSL3013	

### Fori ciechi tipo TB lunghezza di rullatura 50 mm

Ø Foro	Codice utensile	Regolazione	Codolo	Rulli cod.	Rulli N°	Mandrino	Gabbia	Manicotto	Corpo
32,0	TB-032.00-3-50-CM2/S20	-0,05/+0,40	CM2	500307	5	TM-032.00-3	TG-032.00-3	TSL3013	TX1.3-50-CM2
33,0	TB-033.00-3-50-CM2/S20	-0,05/+0,40	S 20	500307	5	TM-033.00-3	TG-033.00-3	TSL3013	TX1.3-50-S20
34,0	TB-034.00-3-50-CM2/S20	-0,05/+0,40	Ø20x50	500307	5	TM-034.00-3	TG-034.00-3	TSL3013	

### Fori passanti tipo TH lunghezza di rullatura 100 mm autoalimentanti

Ø Foro	Codice utensile	Regolazione	Codolo	Rulli cod.	Rulli N°	Mandrino	Gabbia	Manicotto	Corpo
32,0	TH-032.00-1-100-CM2/S20	-0,10/+0,90	CM2	500109	5	TM-032.00-1	TG-032.00-1	TSL3014	TX1.3-100-CM2
33,0	TH-033.00-1-100-CM2/S20	-0,10/+0,90	S 20	500109	5	TM-033.00-1	TG-033.00-1	TSL3014	TX1.3-100-S20
34,0	TH-034.00-1-100-CM2/S20	-0,10/+0,90	Ø20x50	500109	5	TM-034.00-1	TG-034.00-1	TSL3014	

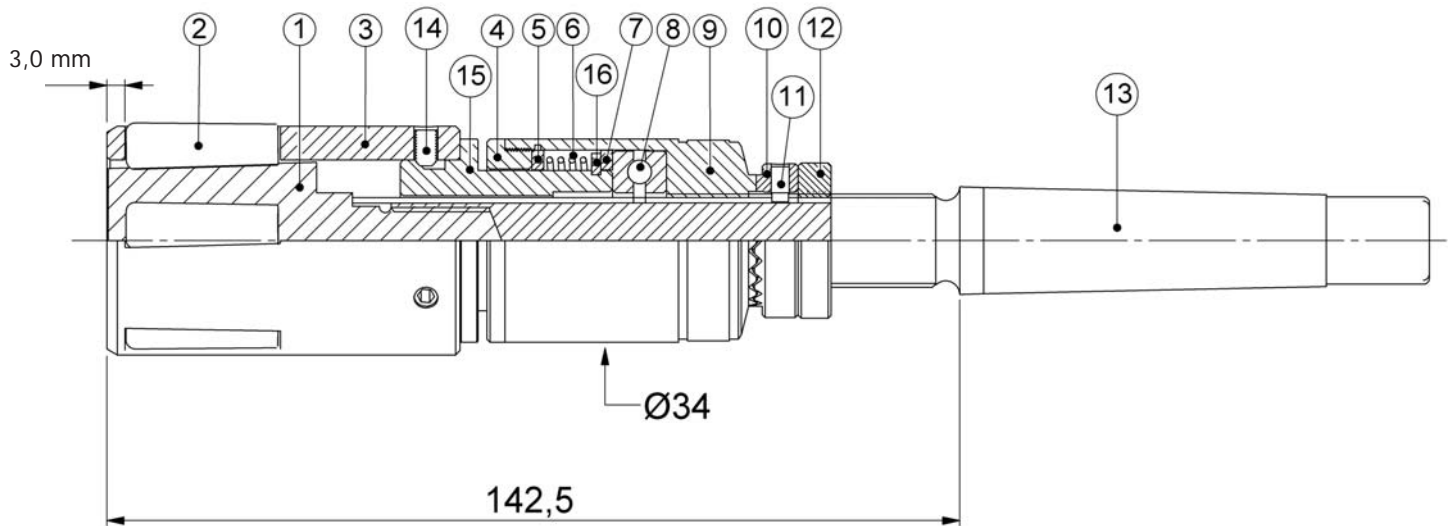
### Fori ciechi tipo TB lunghezza di rullatura 100 mm

Ø Foro	Codice utensile	Regolazione	Codolo	Rulli cod.	Rulli N°	Mandrino	Gabbia	Manicotto	Corpo
32,0	TB-032.00-3-100-CM2/S20	-0,05/+0,40	CM2	500307	5	TM-032.00-3	TG-032.00-3	TSL3014	TX1.3-100-CM2
33,0	TB-033.00-3-100-CM2/S20	-0,05/+0,40	S 20	500307	5	TM-033.00-3	TG-033.00-3	TSL3014	TX1.3-100-S20
34,0	TB-034.00-3-100-CM2/S20	-0,05/+0,40	Ø20x50	500307	5	TM-034.00-3	TG-034.00-3	TSL3014	



# Rullatori per fori passanti e fori ciechi

Fori passanti tipo TH: campo di lavoro da Ø35 a Ø49 mm  
 Fori ciechi tipo TB: campo di lavoro da Ø35 a Ø49 mm



- |                      |                |                            |                      |
|----------------------|----------------|----------------------------|----------------------|
| 1 - Mandrino         | 5 - Anello     | 9 - Collare                | 13 - Codolo          |
| 2 - Rulli            | 6 - Molla      | 10 - Ghiera di regolazione | 14 - Grano filettato |
| 3 - Gabbia           | 7 - Anello     | 11 - Spina                 | 15 - Manicotto       |
| 4 - Ghiera filettata | 8 - Cuscinetto | 12 - Ghiera di bloccaggio  | 16 - Anello Seeger   |

## Fori passanti tipo TH lunghezza di rullatura illimitata autoalimentanti

Ø Foro	Codice utensile	Regolazione	Codolo	Rulli cod.	Rulli N°	Mandrino	Gabbia	Manicotto	Corpo
35,0	TH-035.00-1-CM2/S20	-0,10/+0,90		500109	6	TM-035.00-1	TG-035.00-1	TSL3019	
36,0	TH-036.00-1-CM2/S20	-0,10/+0,90		500109	6	TM-036.00-1	TG-036.00-1	TSL3019	
37,0	TH-037.00-1-CM2/S20	-0,10/+0,90		500109	6	TM-037.00-1	TG-037.00-1	TSL3020	
38,0	TH-038.00-1-CM2/S20	-0,10/+0,90		500109	6	TM-038.00-1	TG-038.00-1	TSL3020	
39,0	TH-039.00-1-CM2/S20	-0,10/+0,90		500109	6	TM-039.00-1	TG-039.00-1	TSL3020	
40,0	TH-040.00-1-CM2/S20	-0,10/+0,90	CM2	500109	6	TM-040.00-1	TG-040.00-1	TSL3020	TX1.3-IL-CM2
41,0	TH-041.00-1-CM2/S20	-0,10/+0,90		500109	6	TM-041.00-1	TG-041.00-1	TSL3021	TX1.3-IL-S20
42,0	TH-042.00-1-CM2/S20	-0,10/+0,90	S 20	500109	6	TM-042.00-1	TG-042.00-1	TSL3021	
43,0	TH-043.00-1-CM2/S20	-0,10/+0,90	Ø20x50	500109	6	TM-043.00-1	TG-043.00-1	TSL3021	
44,0	TH-044.00-1-CM2/S20	-0,10/+0,90		500109	6	TM-044.00-1	TG-044.00-1	TSL3021	
45,0	TH-045.00-1-CM2/S20	-0,10/+0,90		500109	6	TM-045.00-1	TG-045.00-1	TSL3021	
46,0	TH-046.00-1-CM2/S20	-0,10/+0,90		500109	6	TM-046.00-1	TG-046.00-1	TSL3022	
47,0	TH-047.00-1-CM2/S20	-0,10/+0,90		500109	6	TM-047.00-1	TG-047.00-1	TSL3022	
48,0	TH-048.00-1-CM2/S20	-0,10/+0,90		500109	6	TM-048.00-1	TG-048.00-1	TSL3022	
49,0	TH-049.00-1-CM2/S20	-0,10/+0,90		500109	6	TM-049.00-1	TG-049.00-1	TSL3022	

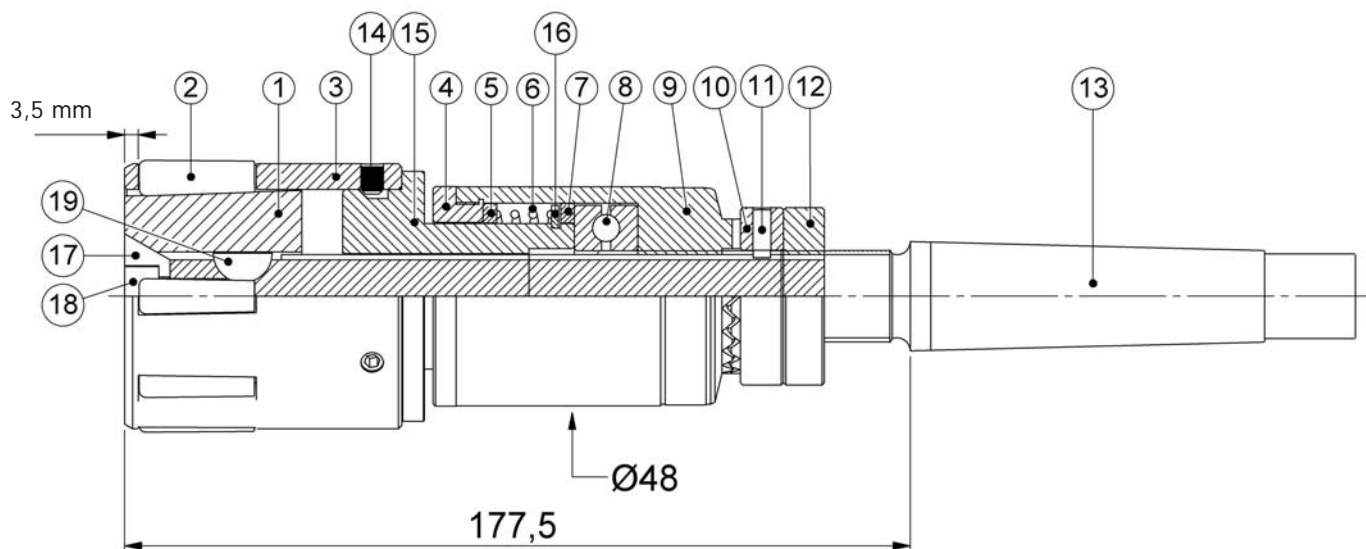
## Fori ciechi tipo TB lunghezza di rullatura illimitata

Ø Foro	Codice utensile	Regolazione	Codolo	Rulli cod.	Rulli N°	Mandrino	Gabbia	Manicotto	Corpo
35,0	TB-035.00-3-CM2/S20	-0,05/+0,40		500307	6	TM-035.00-3	TG-035.00-3	TSL3019	
36,0	TB-036.00-3-CM2/S20	-0,05/+0,40		500307	6	TM-036.00-3	TG-036.00-3	TSL3019	
37,0	TB-037.00-3-CM2/S20	-0,05/+0,40		500307	6	TM-037.00-3	TG-037.00-3	TSL3020	
38,0	TB-038.00-3-CM2/S20	-0,05/+0,40		500307	6	TM-038.00-3	TG-038.00-3	TSL3020	
39,0	TB-039.00-3-CM2/S20	-0,05/+0,40		500307	6	TM-039.00-3	TG-039.00-3	TSL3020	
40,0	TB-040.00-3-CM2/S20	-0,05/+0,40	CM2	500307	6	TM-040.00-3	TG-040.00-3	TSL3020	TX1.3-IL-CM2
41,0	TB-041.00-3-CM2/S20	-0,05/+0,40		500307	6	TM-041.00-3	TG-041.00-3	TSL3021	TX1.3-IL-S20
42,0	TB-042.00-3-CM2/S20	-0,05/+0,40	S 20	500307	6	TM-042.00-3	TG-042.00-3	TSL3021	
43,0	TB-043.00-3-CM2/S20	-0,05/+0,40	Ø20x50	500307	6	TM-043.00-3	TG-043.00-3	TSL3021	
44,0	TB-044.00-3-CM2/S20	-0,05/+0,40		500307	6	TM-044.00-3	TG-044.00-3	TSL3021	
45,0	TB-045.00-3-CM2/S20	-0,05/+0,40		500307	6	TM-045.00-3	TG-045.00-3	TSL3021	
46,0	TB-046.00-3-CM2/S20	-0,05/+0,40		500307	6	TM-046.00-3	TG-046.00-3	TSL3022	
47,0	TB-047.00-3-CM2/S20	-0,05/+0,40		500307	6	TM-047.00-3	TG-047.00-3	TSL3022	
48,0	TB-048.00-3-CM2/S20	-0,05/+0,40		500307	6	TM-048.00-3	TG-048.00-3	TSL3022	
49,0	TB-049.00-3-CM2/S20	-0,05/+0,40		500307	6	TM-049.00-3	TG-049.00-3	TSL3022	

# Rullatori per fori passanti e fori ciechi

Fori passanti tipo TH: campo di lavoro da Ø50 a Ø80 mm

Fori ciechi tipo TB: campo di lavoro da Ø50 a Ø80 mm



- |                      |                |                            |                      |                    |
|----------------------|----------------|----------------------------|----------------------|--------------------|
| 1 - Mandrino         | 5 - Anello     | 9 - Collare                | 13 - Codolo          | 17 - Anello conico |
| 2 - Rulli            | 6 - Molla      | 10 - Ghiera di regolazione | 14 - Grano filettato | 18 - Vite          |
| 3 - Gabbia           | 7 - Anello     | 11 - Spina                 | 15 - Manicotto       | 19 - Chiavetta     |
| 4 - Ghiera filettata | 8 - Cuscinetto | 12 - Ghiera di bloccaggio  | 16 - Anello Seeger   |                    |

## Fori passanti tipo TH lunghezza di rullatura illimitata autoalimentanti

Ø Foro	Codice utensile	Regolazione	Codolo	Rulli cod.	Rulli N°	Mandrino	Gabbia	Manicotto	Corpo
50,0	TH-050.00-1-CM3/S25	-0,10/+0,90		500109	8	TM-050.00-1	TG-050.00-1	TSL3023	
51,0	TH-051.00-1-CM3/S25	-0,10/+0,90		500109	8	TM-051.00-1	TG-051.00-1	TSL3023	
52,0	TH-052.00-1-CM3/S25	-0,10/+0,90		500109	8	TM-052.00-1	TG-052.00-1	TSL3024	
53,0	TH-053.00-1-CM3/S25	-0,10/+0,90		500109	8	TM-053.00-1	TG-053.00-1	TSL3024	
54,0	TH-054.00-1-CM3/S25	-0,10/+0,90		500109	8	TM-054.00-1	TG-054.00-1	TSL3024	
55,0	TH-055.00-1-CM3/S25	-0,10/+0,90		500109	8	TM-055.00-1	TG-055.00-1	TSL3025	
56,0	TH-056.00-1-CM3/S25	-0,10/+0,90		500109	8	TM-056.00-1	TG-056.00-1	TSL3025	
57,0	TH-057.00-1-CM3/S25	-0,10/+0,90		500109	8	TM-057.00-1	TG-057.00-1	TSL3025	
58,0	TH-058.00-1-CM3/S25	-0,10/+0,90		500109	8	TM-058.00-1	TG-058.00-1	TSL3026	
59,0	TH-059.00-1-CM3/S25	-0,10/+0,90		500109	8	TM-059.00-1	TG-059.00-1	TSL3026	
60,0	TH-060.00-1-CM3/S25	-0,10/+0,90		500109	8	TM-060.00-1	TG-060.00-1	TSL3026	
61,0	TH-061.00-1-CM3/S25	-0,10/+0,90		500109	8	TM-061.00-1	TG-061.00-1	TSL3027	
62,0	TH-062.00-1-CM3/S25	-0,10/+0,90		500109	8	TM-062.00-1	TG-062.00-1	TSL3027	
63,0	TH-063.00-1-CM3/S25	-0,10/+0,90	CM3	500109	8	TM-063.00-1	TG-063.00-1	TSL3027	TX2 CM3
64,0	TH-064.00-1-CM3/S25	-0,10/+0,90		500109	8	TM-064.00-1	TG-064.00-1	TSL3028	TX2 S25
65,0	TH-065.00-1-CM3/S25	-0,10/+0,90	S 25	500109	8	TM-065.00-1	TG-065.00-1	TSL3028	
66,0	TH-066.00-1-CM3/S25	-0,10/+0,90	Ø25x56	500109	8	TM-066.00-1	TG-066.00-1	TSL3028	
67,0	TH-067.00-1-CM3/S25	-0,10/+0,90		500109	8	TM-067.00-1	TG-067.00-1	TSL3029	
68,0	TH-068.00-1-CM3/S25	-0,10/+0,90		500109	8	TM-068.00-1	TG-068.00-1	TSL3029	
69,0	TH-069.00-1-CM3/S25	-0,10/+0,90		500109	8	TM-069.00-1	TG-069.00-1	TSL3029	
70,0	TH-070.00-1-CM3/S25	-0,10/+0,90		500109	8	TM-070.00-1	TG-070.00-1	TSL3030	
71,0	TH-071.00-1-CM3/S25	-0,10/+0,90		500109	8	TM-071.00-1	TG-071.00-1	TSL3030	
72,0	TH-072.00-1-CM3/S25	-0,10/+0,90		500109	8	TM-072.00-1	TG-072.00-1	TSL3030	
73,0	TH-073.00-1-CM3/S25	-0,10/+0,90		500109	8	TM-073.00-1	TG-073.00-1	TSL3031	
74,0	TH-074.00-1-CM3/S25	-0,10/+0,90		500109	8	TM-074.00-1	TG-074.00-1	TSL3031	
75,0	TH-075.00-1-CM3/S25	-0,10/+0,90		500109	8	TM-075.00-1	TG-075.00-1	TSL3031	
76,0	TH-076.00-1-CM3/S25	-0,10/+0,90		500109	8	TM-076.00-1	TG-076.00-1	TSL3032	
77,0	TH-077.00-1-CM3/S25	-0,10/+0,90		500109	8	TM-077.00-1	TG-077.00-1	TSL3032	
78,0	TH-078.00-1-CM3/S25	-0,10/+0,90		500109	8	TM-078.00-1	TG-078.00-1	TSL3032	
79,0	TH-079.00-1-CM3/S25	-0,10/+0,90		500109	8	TM-079.00-1	TG-079.00-1	TSL3033	
80,0	TH-080.00-1-CM3/S25	-0,10/+0,90		500109	8	TM-080.00-1	TG-080.00-1	TSL3033	

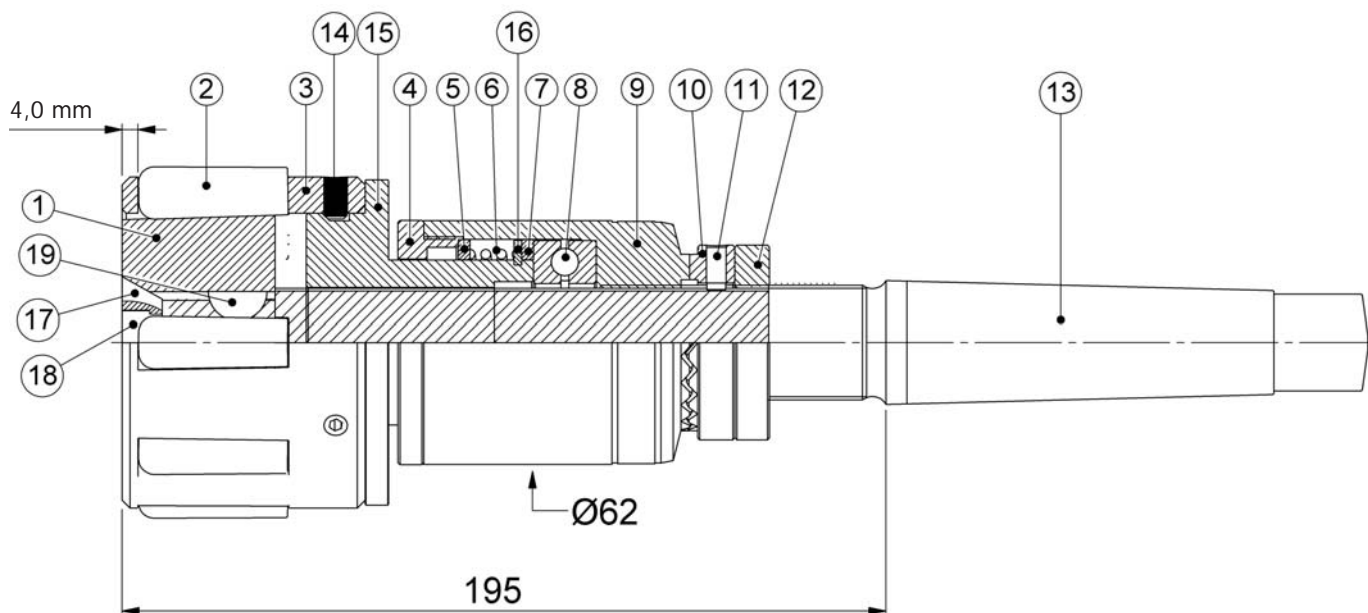
## Fori ciechi tipo TB lunghezza di rullatura illimitata

Ø Foro	Codice utensile	Regolazione	Codolo	Rulli cod.	Rulli N°	Mandrino	Gabbia	Manicotto	Corpo
50,0	TB-050.00-3-CM3/S25	-0,10/+0,90		500307	8	TM-050.00-3	TG-050.00-3	TSL3023	
51,0	TB-051.00-3-CM3/S25	-0,10/+0,90		500307	8	TM-051.00-3	TG-051.00-3	TSL3023	
52,0	TB-052.00-3-CM3/S25	-0,10/+0,90		500307	8	TM-052.00-3	TG-052.00-3	TSL3024	
53,0	TB-053.00-3-CM3/S25	-0,10/+0,90		500307	8	TM-053.00-3	TG-053.00-3	TSL3024	
54,0	TB-054.00-3-CM3/S25	-0,10/+0,90		500307	8	TM-054.00-3	TG-054.00-3	TSL3024	
55,0	TB-055.00-3-CM3/S25	-0,10/+0,90		500307	8	TM-055.00-3	TG-055.00-3	TSL3025	
56,0	TB-056.00-3-CM3/S25	-0,10/+0,90		500307	8	TM-056.00-3	TG-056.00-3	TSL3025	
57,0	TB-057.00-3-CM3/S25	-0,10/+0,90		500307	8	TM-057.00-3	TG-057.00-3	TSL3025	
58,0	TB-058.00-3-CM3/S25	-0,10/+0,90		500307	8	TM-058.00-3	TG-058.00-3	TSL3026	
59,0	TB-059.00-3-CM3/S25	-0,10/+0,90		500307	8	TM-059.00-3	TG-059.00-3	TSL3026	
60,0	TB-060.00-3-CM3/S25	-0,10/+0,90		500307	8	TM-060.00-3	TG-060.00-3	TSL3026	
61,0	TB-061.00-3-CM3/S25	-0,10/+0,90		500307	8	TM-061.00-3	TG-061.00-3	TSL3027	
62,0	TB-062.00-3-CM3/S25	-0,10/+0,90		500307	8	TM-062.00-3	TG-062.00-3	TSL3027	
63,0	TB-063.00-3-CM3/S25	-0,10/+0,90	CM3	500307	8	TM-063.00-3	TG-063.00-3	TSL3027	TX2 CM3
64,0	TB-064.00-3-CM3/S25	-0,10/+0,90		500307	8	TM-064.00-3	TG-064.00-3	TSL3028	TX2 S25
65,0	TB-065.00-3-CM3/S25	-0,10/+0,90	S 25	500307	8	TM-065.00-3	TG-065.00-3	TSL3028	
66,0	TB-066.00-3-CM3/S25	-0,10/+0,90	Ø25x56	500307	8	TM-066.00-3	TG-066.00-3	TSL3028	
67,0	TB-067.00-3-CM3/S25	-0,10/+0,90		500307	8	TM-067.00-3	TG-067.00-3	TSL3029	
68,0	TB-068.00-3-CM3/S25	-0,10/+0,90		500307	8	TM-068.00-3	TG-068.00-3	TSL3029	
69,0	TB-069.00-3-CM3/S25	-0,10/+0,90		500307	8	TM-069.00-3	TG-069.00-3	TSL3029	
70,0	TB-070.00-3-CM3/S25	-0,10/+0,90		500307	8	TM-070.00-3	TG-070.00-3	TSL3030	
71,0	TB-071.00-3-CM3/S25	-0,10/+0,90		500307	8	TM-071.00-3	TG-071.00-3	TSL3030	
72,0	TB-072.00-3-CM3/S25	-0,10/+0,90		500307	8	TM-072.00-3	TG-072.00-3	TSL3030	
73,0	TB-073.00-3-CM3/S25	-0,10/+0,90		500307	8	TM-073.00-3	TG-073.00-3	TSL3031	
74,0	TB-074.00-3-CM3/S25	-0,10/+0,90		500307	8	TM-074.00-3	TG-074.00-3	TSL3031	
75,0	TB-075.00-3-CM3/S25	-0,10/+0,90		500307	8	TM-075.00-3	TG-075.00-3	TSL3031	
76,0	TB-076.00-3-CM3/S25	-0,10/+0,90		500307	8	TM-076.00-3	TG-076.00-3	TSL3032	
77,0	TB-077.00-3-CM3/S25	-0,10/+0,90		500307	8	TM-077.00-3	TG-077.00-3	TSL3032	
78,0	TB-078.00-3-CM3/S25	-0,10/+0,90		500307	8	TM-078.00-3	TG-078.00-3	TSL3032	
79,0	TB-079.00-3-CM3/S25	-0,10/+0,90		500307	8	TM-079.00-3	TG-079.00-3	TSL3033	
80,0	TB-080.00-3-CM3/S25	-0,10/+0,90		500307	8	TM-080.00-3	TG-080.00-3	TSL3033	

# Rullatori per fori passanti e fori ciechi

Fori passanti tipo TH: campo di lavoro da Ø81 a Ø100 mm

Fori ciechi tipo TB: campo di lavoro da Ø81 a Ø100 mm



- |                      |                |                            |                      |                    |
|----------------------|----------------|----------------------------|----------------------|--------------------|
| 1 - Mandrino         | 5 - Anello     | 9 - Collare                | 13 - Codolo          | 17 - Anello conico |
| 2 - Rulli            | 6 - Molla      | 10 - Ghiera di regolazione | 14 - Grano filettato | 18 - Vite          |
| 3 - Gabbia           | 7 - Anello     | 11 - Spina                 | 15 - Manicotto       | 19 - Chiavetta     |
| 4 - Ghiera filettata | 8 - Cuscinetto | 12 - Ghiera di bloccaggio  | 16 - Anello Seeger   |                    |

## Fori passanti tipo TH lunghezza di rullatura illimitata autoalimentanti

Ø Foro	Codice utensile	Regolazione	Codolo	Rulli cod.	Rulli N°	Mandrino	Gabbia	Manicotto	Corpo
81,0	TH-081.00-1-CM4/S32	-0,10/+0,90		500107	8	TM-081.00-1	TG-081.00-1	TSL0703	
82,0	TH-082.00-1-CM4/S32	-0,10/+0,90		500107	8	TM-082.00-1	TG-082.00-1	TSL0703	
83,0	TH-083.00-1-CM4/S32	-0,10/+0,90		500107	8	TM-083.00-1	TG-083.00-1	TSL0703	
84,0	TH-084.00-1-CM4/S32	-0,10/+0,90		500107	8	TM-084.00-1	TG-084.00-1	TSL0703	
85,0	TH-085.00-1-CM4/S32	-0,10/+0,90		500107	8	TM-085.00-1	TG-085.00-1	TSL0703	
86,0	TH-086.00-1-CM4/S32	-0,10/+0,90		500107	8	TM-086.00-1	TG-086.00-1	TSL0703	
87,0	TH-087.00-1-CM4/S32	-0,10/+0,90		500107	8	TM-087.00-1	TG-087.00-1	TSL0703	
88,0	TH-088.00-1-CM4/S32	-0,10/+0,90		500107	8	TM-088.00-1	TG-088.00-1	TSL0703	
89,0	TH-089.00-1-CM4/S32	-0,10/+0,90	CM4	500107	8	TM-089.00-1	TG-089.00-1	TSL0703	TX3 CM4
90,0	TH-090.00-1-CM4/S32	-0,10/+0,90		500107	8	TM-090.00-1	TG-090.00-1	TSL0703	TX3 S32
91,0	TH-091.00-1-CM4/S32	-0,10/+0,90	S 32	500107	8	TM-091.00-1	TG-091.00-1	TSL0703	
92,0	TH-092.00-1-CM4/S32	-0,10/+0,90	Ø32x60	500107	8	TM-092.00-1	TG-092.00-1	TSL0703	
93,0	TH-093.00-1-CM4/S32	-0,10/+0,90		500107	8	TM-093.00-1	TG-093.00-1	TSL0703	
94,0	TH-094.00-1-CM4/S32	-0,10/+0,90		500107	8	TM-094.00-1	TG-094.00-1	TSL0703	
95,0	TH-095.00-1-CM4/S32	-0,10/+0,90		500107	8	TM-095.00-1	TG-095.00-1	TSL0703	
96,0	TH-096.00-1-CM4/S32	-0,10/+0,90		500107	8	TM-096.00-1	TG-096.00-1	TSL0703	
97,0	TH-097.00-1-CM4/S32	-0,10/+0,90		500107	8	TM-097.00-1	TG-097.00-1	TSL0703	
98,0	TH-098.00-1-CM4/S32	-0,10/+0,90		500107	8	TM-098.00-1	TG-098.00-1	TSL0703	
99,0	TH-099.00-1-CM4/S32	-0,10/+0,90		500107	8	TM-099.00-1	TG-099.00-1	TSL0703	
100,0	TH-100.00-1-CM4/S32	-0,10/+0,90		500107	8	TM-100.00-1	TG-100.00-1	TSL0703	

## Fori ciechi tipo TB lunghezza di rullatura illimitata

Ø Foro	Codice utensile	Regolazione	Codolo	Rulli cod.	Rulli N°	Mandrino	Gabbia	Manicotto	Corpo
81,0	TB-081.00-3-CM4/S32	-0,05/+0,40		500306	8	TM-081.00-3	TG-081.00-3	TSL0703	
82,0	TB-082.00-3-CM4/S32	-0,05/+0,40		500306	8	TM-082.00-3	TG-082.00-3	TSL0703	
83,0	TB-083.00-3-CM4/S32	-0,05/+0,40		500306	8	TM-083.00-3	TG-083.00-3	TSL0703	
84,0	TB-084.00-3-CM4/S32	-0,05/+0,40		500306	8	TM-084.00-3	TG-084.00-3	TSL0703	
85,0	TB-085.00-3-CM4/S32	-0,05/+0,40		500306	8	TM-085.00-3	TG-085.00-3	TSL0703	
86,0	TB-086.00-3-CM4/S32	-0,05/+0,40		500306	8	TM-086.00-3	TG-086.00-3	TSL0703	
87,0	TB-087.00-3-CM4/S32	-0,05/+0,40		500306	8	TM-087.00-3	TG-087.00-3	TSL0703	
88,0	TB-088.00-3-CM4/S32	-0,05/+0,40		500306	8	TM-088.00-3	TG-088.00-3	TSL0703	
89,0	TB-089.00-3-CM4/S32	-0,05/+0,40	CM4	500306	8	TM-089.00-3	TG-089.00-3	TSL0703	TX3 CM4
90,0	TB-090.00-3-CM4/S32	-0,05/+0,40		500306	8	TM-090.00-3	TG-090.00-3	TSL0703	TX3 S32
91,0	TB-091.00-3-CM4/S32	-0,05/+0,40	S 32	500306	8	TM-091.00-3	TG-091.00-3	TSL0703	
92,0	TB-092.00-3-CM4/S32	-0,05/+0,40	Ø32x60	500306	8	TM-092.00-3	TG-092.00-3	TSL0703	
93,0	TB-093.00-3-CM4/S32	-0,05/+0,40		500306	8	TM-093.00-3	TG-093.00-3	TSL0703	
94,0	TB-094.00-3-CM4/S32	-0,05/+0,40		500306	8	TM-094.00-3	TG-094.00-3	TSL0703	
95,0	TB-095.00-3-CM4/S32	-0,05/+0,40		500306	8	TM-095.00-3	TG-095.00-3	TSL0703	
96,0	TB-096.00-3-CM4/S32	-0,05/+0,40		500306	8	TM-096.00-3	TG-096.00-3	TSL0703	
97,0	TB-097.00-3-CM4/S32	-0,05/+0,40		500306	8	TM-097.00-3	TG-097.00-3	TSL0703	
98,0	TB-098.00-3-CM4/S32	-0,05/+0,40		500306	8	TM-098.00-3	TG-098.00-3	TSL0703	
99,0	TB-099.00-3-CM4/S32	-0,05/+0,40		500306	8	TM-099.00-3	TG-099.00-3	TSL0703	
100,0	TB-100.00-3-CM4/S32	-0,05/+0,40		500306	8	TM-100.00-3	TG-100.00-3	TSL0703	